



MIDGARD ENTERPRISES LLC
 E-mail: Info@midgardusa.com
www.midgardusa.com



P/N:MDG-RWP02-60WXYZA2-aaK

Note:

MDG= Company name;

RWP02 = Product series, LED Wall Pack Light;

60W = Rating Power;

X= LED manufacturer, C stands for Seoul SMD 3030;

Y= Diffuser light angle type employed, T1 stands for 60 Degree;

Z= N or R,N represents LED module can't be rotation, R represents LED module can be rotation;

A2 = Version number;

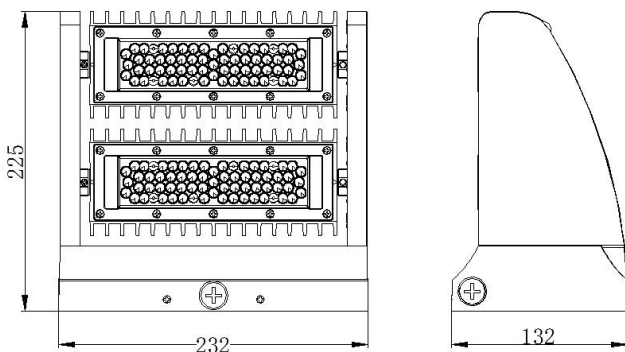
aaK= CCT, can be any numbers.



ADVANTAGE

- IP65 Internal driver, Input voltage 100-277VAC;
- No UV or IR in the beam;
- Easy to install and operate;
- Energy saving, long lifespan;
- Instant start, NO humming;
- Green and eco-friendly without mercury.

DIMENSIONS



APPLICATION

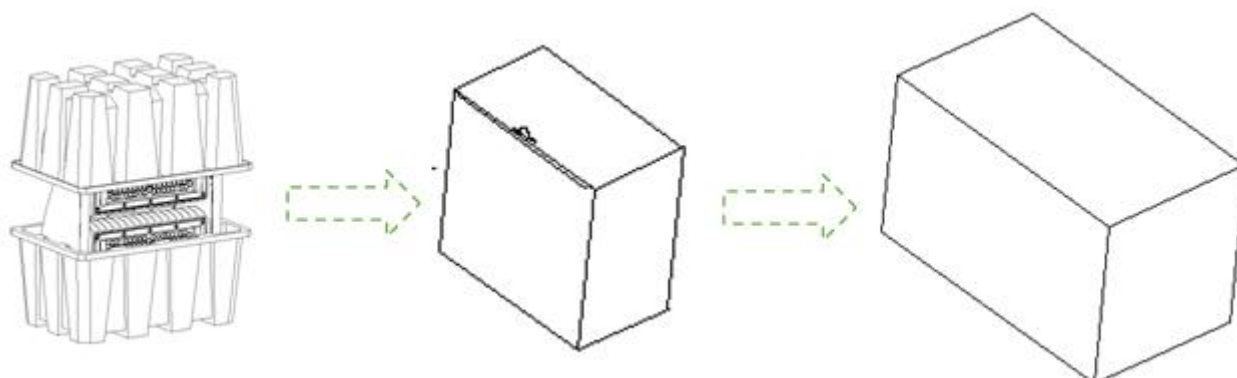
- ◆ Entrance lighting, courtyard lighting;
- ◆ Industrial lighting, Outdoor landscape lighting;
- ◆ Building, The hotel;
- ◆ Wall lighting area and so on.

SPECIFICATIONS

| | | |
|-------------------|-----------------------|--------------------|
| OPTICAL | Input Power | 60W |
| | Lumen | 7787LM |
| | Lumen Efficacy | 120-135LM/W |
| | Color Temperature | 2700-6500K |
| | CRI | >70 |
| | Viewing Angle | 60 Degree |
| ELECTRICAL | Input Voltage | 100-277VAC 50/60Hz |
| | PF | ≥0.9 |
| | THD | ≤20% |
| | Driver Model | China Brand Driver |
| MATERIALS | LED Brand | Seoul |
| | LED Type | SMD 3030 |
| | LED QTY | 70 PCS |
| | Housing | Aluminum Alloy |
| | Housing Color | Black / Brown |
| | Waterproof Rating | WET (IP65) |
| OTHERS | Operating Temperature | -20℃ TO 45℃ |
| | Operating Humidity | 20%-90% RH |
| | Storage Temperature | -30℃ TO 80℃ |
| | Storage Humidity | 10%-95% RH |
| | Warranty Time | 5 Years |

PACKAGE

| Lamp Net Weight | Size | Qty/Carton | Gross Weight / Carton |
|-----------------|---------------|------------|-----------------------|
| 3.08 kg/pc | 390*300*290mm | 2 pcs | 7.8 kg |



LIGHT DISTRIBUTION TESTING PARAMETERS

Luminaire Property

Luminaire Manufacturer:

Voltage: 119.9 V

Power: 59.78 W

Current: 0.5003 A

Power Factor: 0.9958

Photometric Results

IES Classification: Type I

Total Rated Lamp Lumens: 7721.9 lm

Efficiency: 100%

Upward Ratio: 0%

Central Intensity: 6281.16 cd

Pos of Max. Intensity: H90 V3

Longitudinal Classification: Very Short

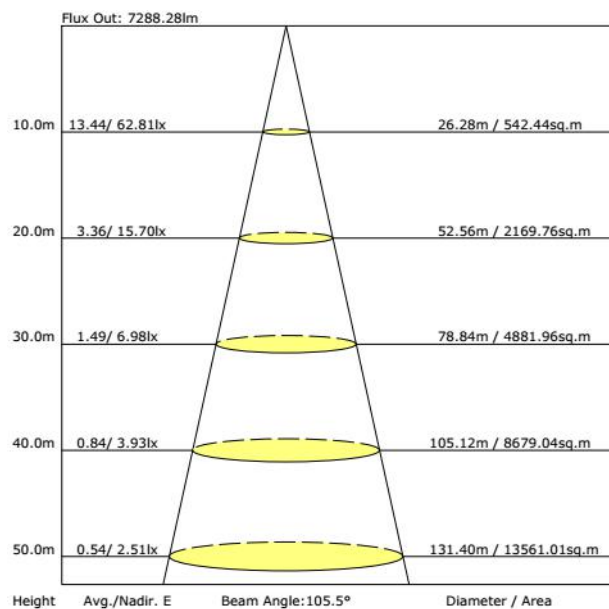
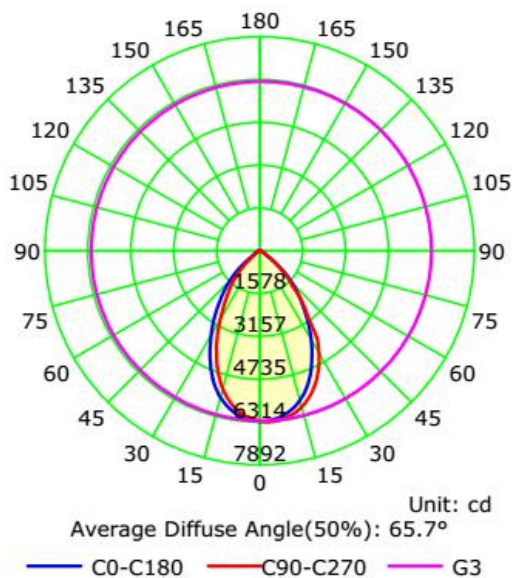
Measurement Flux: 7721.9 lm

Downward Ratio: 100%

Luminaire Efficacy Rating (LER): 129.17

Max. Intensity: 6314.26 cd

Luminous Intensity Distribution Curve



NOTICE FOR USER

- Please turn off power before install or change assembly parts.
- The input voltage and lamps should be matched, after connecting the power line, Please make sure the wiring section is insulated.
- No-professionals, must not install and disassemble the lamps.

TROUBLE SHOOTINGS

| Troubles | Check points |
|-------------------------|--|
| Flickering of the light | Turn off the power and turn on again in 3 minutes. If same phenomena occur, then call agencies. |
| Out of working | Please check the connection. |

Manufacturer: Midgard Enterprises LLC
Brand: MIDGARD
Technical Requirements Version: 4.4
Date Qualified: 05/24/2019
Product ID: PL4NN3F3P7NR

Categorization

Main: Outdoor Luminaires
General Application: Mid Output
Primary Use: Outdoor Full-Cutoff Wall-Mounted Area Luminaires
System Type: AC

Classification: Premium
Is Parent Product: No
DLC Family Code: NANQEH
Listing Status: Listed

[View Notes](#)

| | | | | | |
|---------------|--------------|------------------|------------------|-----------------|-------------|
| Reported Data | Zonal Lumens | Spacing Criteria | Product Features | Version History | Family Data |
|---------------|--------------|------------------|------------------|-----------------|-------------|

Light Output: 7787 lm
Wattage: 59.52 W
Efficacy (AC): 130.83 lm/W
Power Factor: 0.913
CCT: 5000 K
CRI: 70
Total Harmonic Distortion: 16.95 %